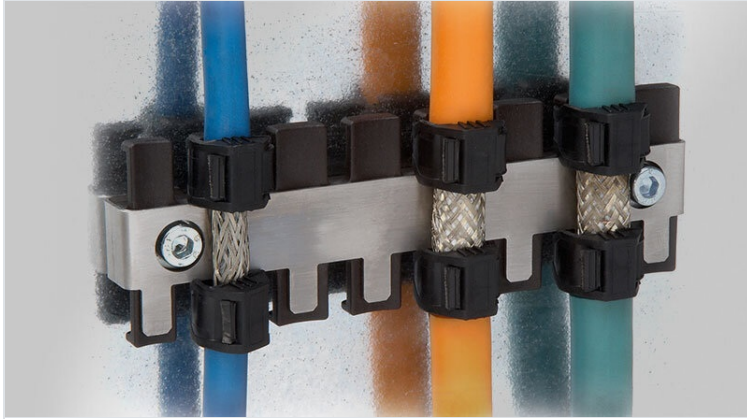


ZL|SB-EMC shield plates

for strain relief plates



The shield plates ZL|SB-EMC provide shield earthing in addition to strain relief.

Affix the corresponding shield plates to [ZL strain relief plates](#). The shield plate contacts the cable shield with the earth potential.

The result is a secure low resistance connection between cable shield and earth.

ZL strain relief plates offered separately.



RoHS
compliant



Made in
Germany

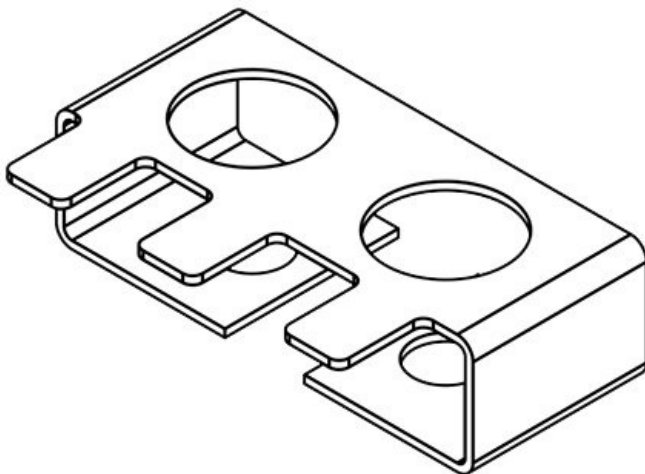
Specifications

Material	Stainless steel
Mounting options	Screw type mounting

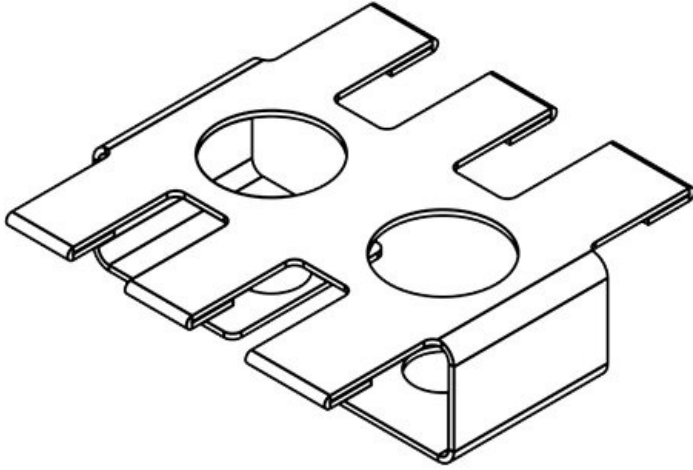
Advantages & benefits

Product types & sizes

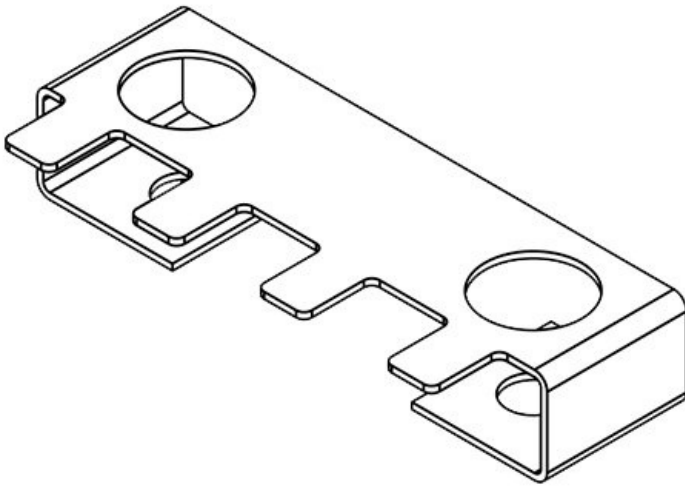
ZL 39|SB-EMC-1



Part No.	36322	Height	12 mm
EAN	4251269302541	No. of screw holes	2
Package quantity	10	Diam. of screw holes	6,5 mm
For max. no. of cables	3	No. of teeth	3
Length L1	42 mm		
Length L2	19,5 mm		
Width	26 mm		



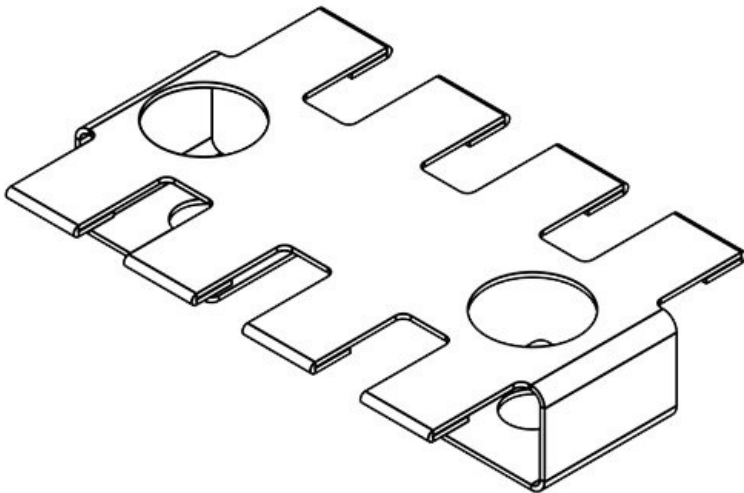
Part No.	37150	Height	12 mm
EAN	4251269305	No. of screw holes	2
	221	Diam. of screw holes	6,5 mm
Package quantity	10	No. of teeth	3
For max. no. of cables	3		
Length L1	42 mm		
Length L2	19,5 mm		
Width	42,1 mm		



Part No.	36328	Height	12 mm
EAN	4251269302	No. of screw holes	2
	572	Diam. of screw holes	6,5 mm
Package quantity	10	No. of teeth	4
For max. no. of cables	4		
Length L1	64 mm		
Length L2	43,5 mm		
Width	26 mm		

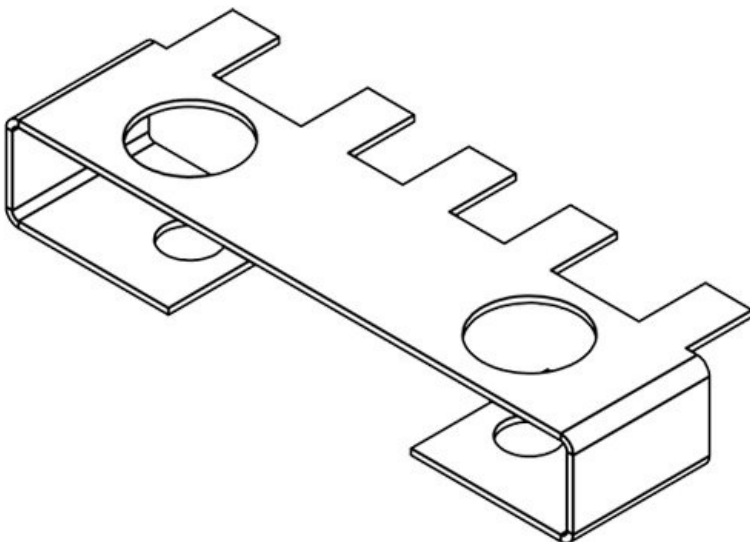
ZL 60|SB-EMC-2

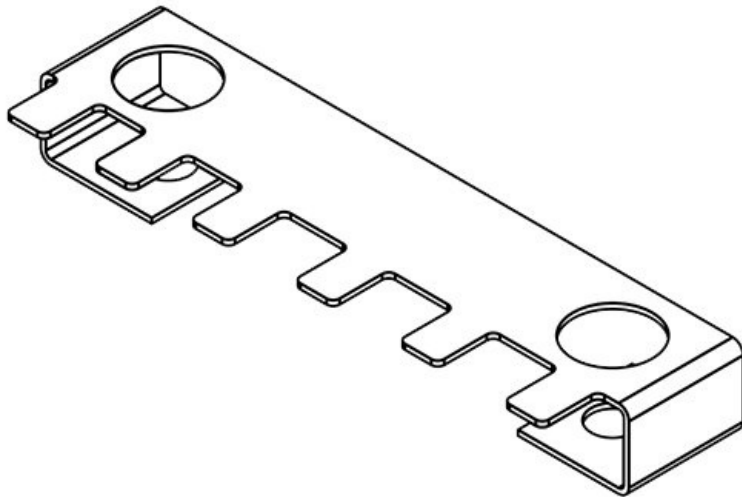
Part No.	37152	Height	12 mm
EAN	4251269305	No. of screw holes	2
	238		
Package quantity	10	Diam. of screw holes	6,5 mm
For max. no. of cables	4	No. of teeth	4
Length L1	64 mm		
Length L2	43,5 mm		
Width	42,1 mm		



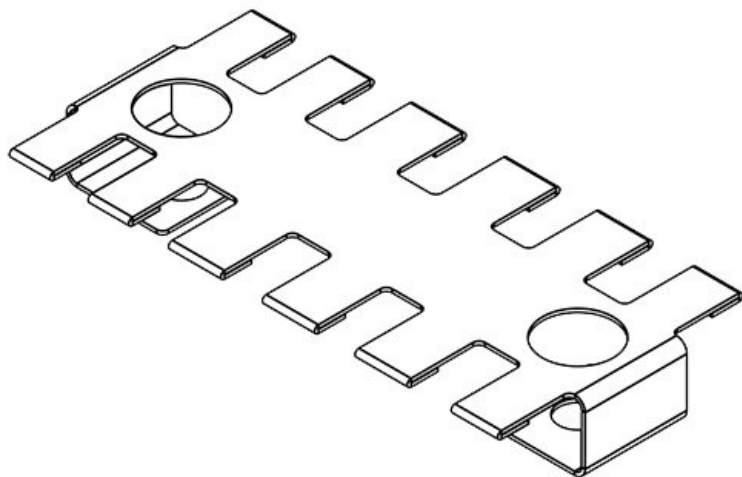
ZL 70|SB-EMC-1

Part No.	36323	Height	12 mm
EAN	4251269332	No. of screw holes	2
	845		
Package quantity	10	Diam. of screw holes	6,5 mm
For max. no. of cables	5	No. of teeth	5
Length L1	72,7 mm		
Length L2	43,5 mm		
Width	26 mm		





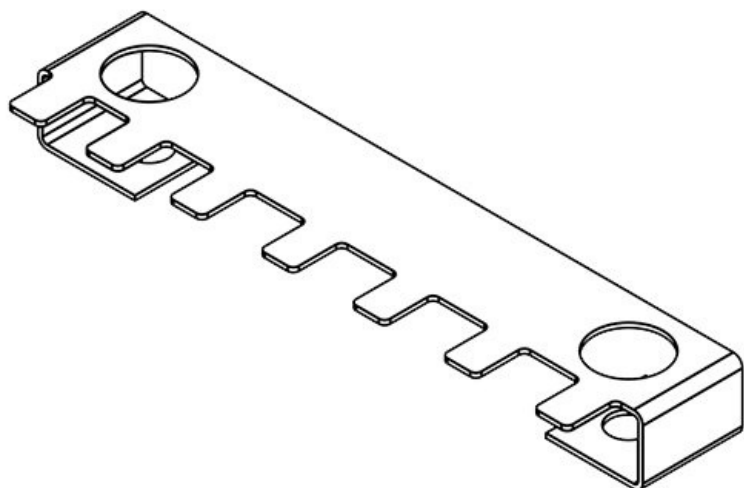
Part No.	36324	Height	12 mm
EAN	4251269302	No. of screw holes	2
	558		
Package quantity	10	Diam. of screw holes	6,5 mm
For max. no. of cables	6	No. of teeth	6
Length L1	90 mm		
Length L2	68 mm		
Width	26 mm		



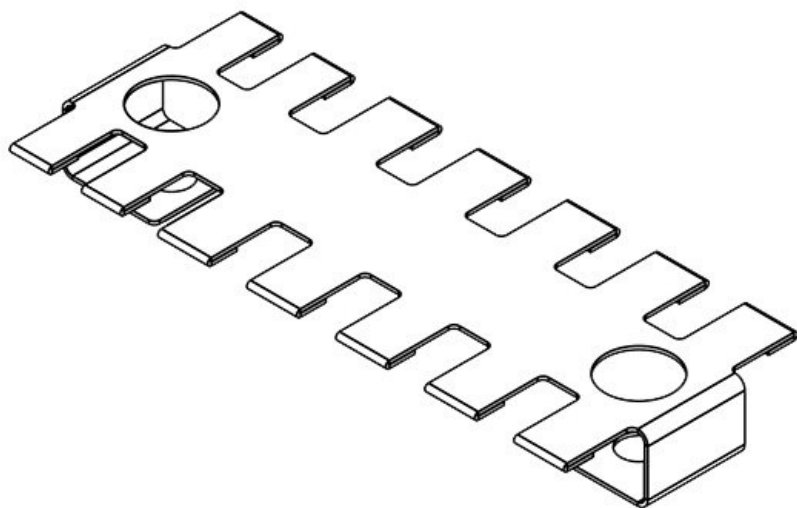
Part No.	37154	Height	12 mm
EAN	4251269305	No. of screw holes	2
	245		
Package quantity	10	Diam. of screw holes	6,5 mm
For max. no. of cables	6	No. of teeth	6
Length L1	90 mm		
Length L2	68 mm		
Width	42,1 mm		

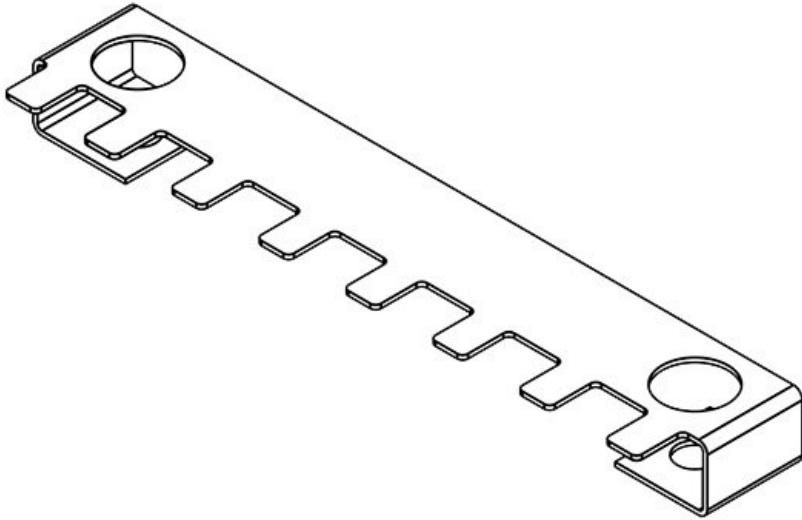
ZL 103|SB-EMC-1

Part No.	36332	Height	12 mm
EAN	4251269302	No. of screw holes	2
	596		
Package quantity	10	Diam. of screw holes	6,5 mm
For max. no. of cables	7	No. of teeth	7
Length L1	106 mm		
Length L2	84 mm		
Width	26 mm		

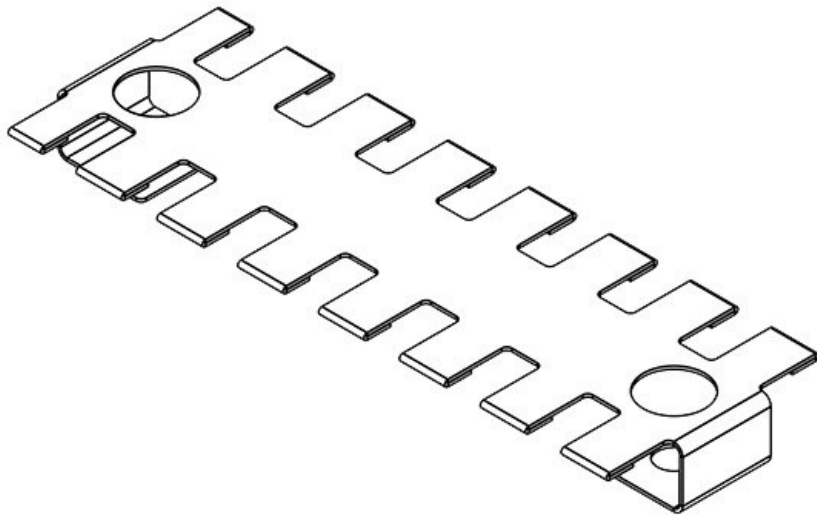
**ZL 103|SB-EMC-2**

Part No.	37156	Height	12 mm
EAN	4251269305	No. of screw holes	2
	252		
Package quantity	10	Diam. of screw holes	6,5 mm
For max. no. of cables	7	No. of teeth	7
Length L1	106 mm		
Length L2	84 mm		
Width	42,1 mm		





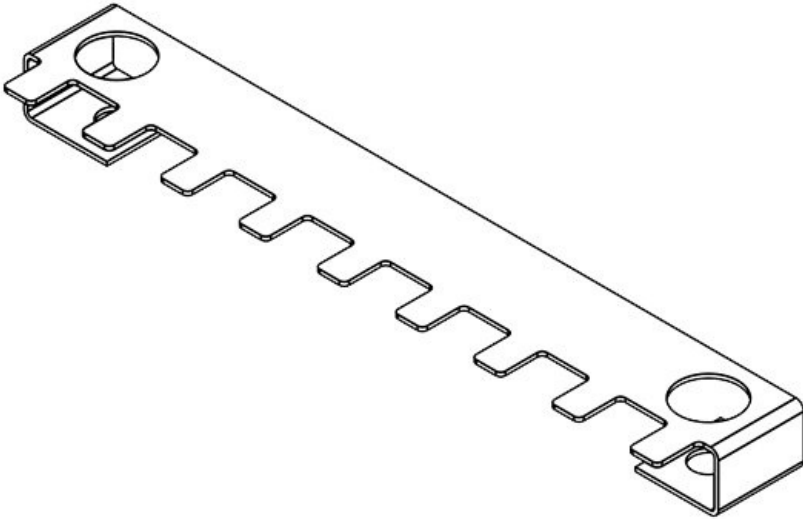
Part No.	36330	Height	12 mm
EAN	4251269302	No. of screw holes	2
Package quantity	10	Diam. of screw holes	6,5 mm
For max. no. of cables	8	No. of teeth	8
Length L1	124 mm		
Length L2	102,5 mm		
Width	26 mm		



Part No.	37158	Height	12 mm
EAN	4251269305	No. of screw holes	2
Package quantity	10	Diam. of screw holes	6,5 mm
For max. no. of cables	8	No. of teeth	8
Length L1	124 mm		
Length L2	102,5 mm		
Width	42,1 mm		

ZL 140|SB-EMC-1

Part No.	36326	Height	12 mm
EAN	4251269302	No. of screw holes	2
	565		
Package quantity	10	Diam. of screw holes	6,5 mm
For max. no. of cables	9	No. of teeth	9
Length L1	142 mm		
Length L2	121 mm		
Width	26 mm		



ZL 140|SB-EMC-2

Part No.	37159	Height	12 mm
EAN	4251269305	No. of screw holes	2
	276		
Package quantity	10	Diam. of screw holes	6,5 mm
For max. no. of cables	9	No. of teeth	9
Length L1	142 mm		
Length L2	121 mm		
Width	42,1 mm		

